

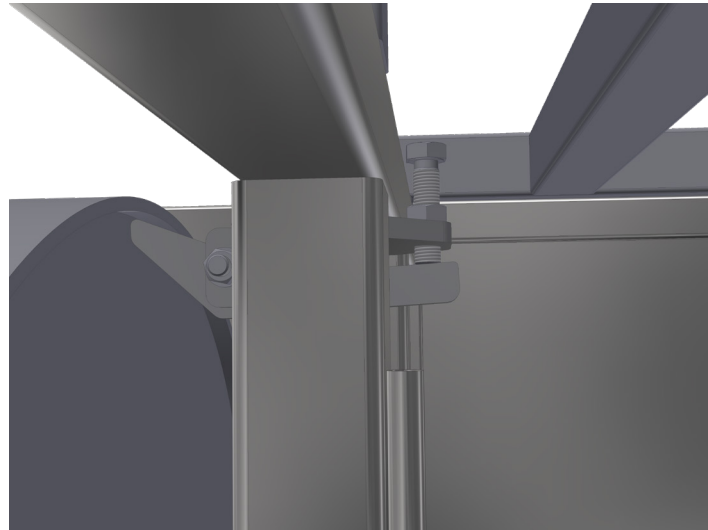


Replacement of drivebelt HSF 22-series

Instructions

1. Switch the filter off and ensure it won't be able to start during the replacement work.
2. Adjust the lifting lever under the motor so it can lift the drum by pressing on the drum ring. Also check the amount of space between the plastic axial slide bearing and the frame when the drum is pushed against the inlet. There should be no more than 5-7 mm of play in the rear end when the drum is pushed against the inlet, to prevent the drum from slipping off the lifting arm.


NOTE! If your filter is not equipped with an integrated drum lifter, ensure that the drum is lifted and supported in any other safe way.



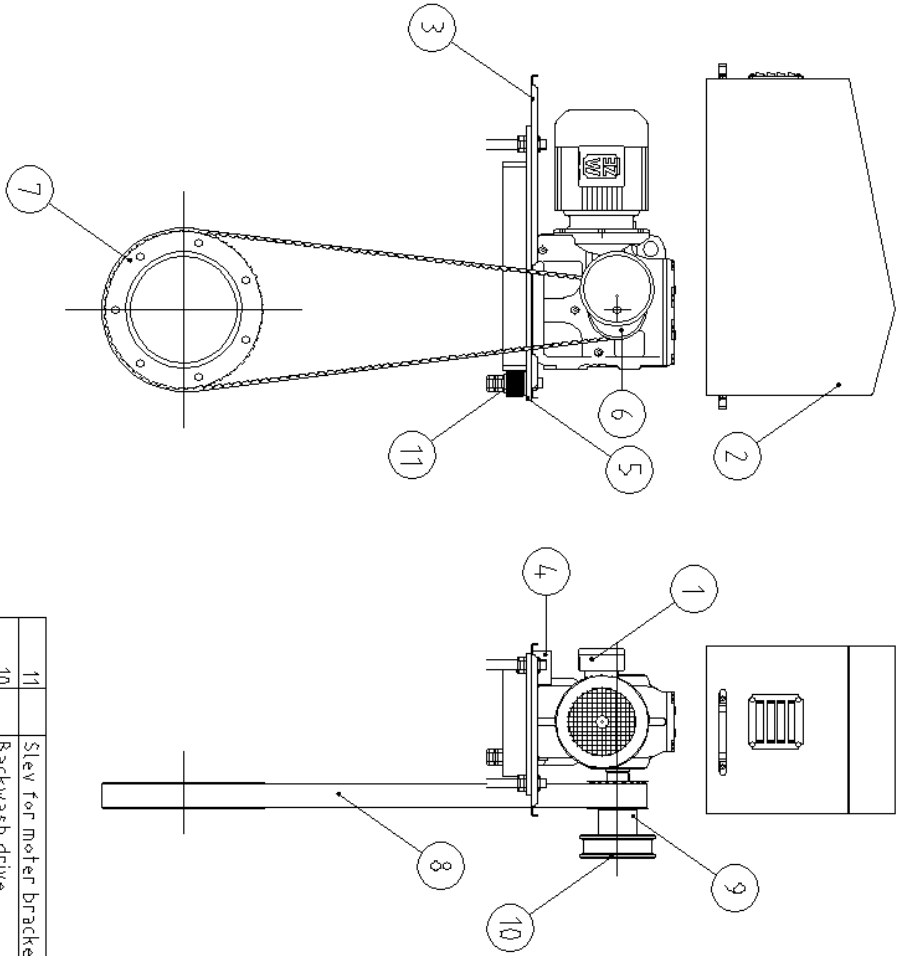
3. Lift the drum. If using the integrated lifting mechanism ensure that the bolt taking the load of the drum is clean and well greased, and that no additional force is applied to the bolt.
4. Loosen the bolts that are holding the two square plates (pos. 1 and 2 on drawing 2976) on the frame (centre shaft). Lift just enough so that the centre shaft can be removed. The support plate between the drum and the frame is held in place by one M8 bolt in each side.
5. When the centre shaft is loose, remove the old belt and attach the new one.
6. Secure the centre shaft using the M8 bolts that were previously removed.
7. Lower the drum.

Drawings that are useful for this maintenance work are attached in the pages following this.

PROPERTY OF DRAWINGS AND PRESCRIPTIONS


All property, rights and use remain to  HYDROTECH AB, Sweden

General conditions and use for this drawing is in accordance to ORGALIME S92




1	2	3	4	5	6	7	8	9	10	11
Part no.	Quantity	Name	Material	Mod. no.	Material	Mod. no.	Material	Mod. no.	Material	Mod. no.
1	1	Worm gear motor								
2	1	Motor cover								
3	1	Motor bottom								
4	1	Oil tray								
5	1	Motor bracket								
6	1	Beltpully motor 60AT20/54-0								
7	1	Beltpully center 60AT20/54-0								
8	1	Drive belt 50AT20/2360-BFX-VA								
9	1	Spacer for backwash drive								
10	1	Backwash drive								
11	1	Slew for motor bracket								

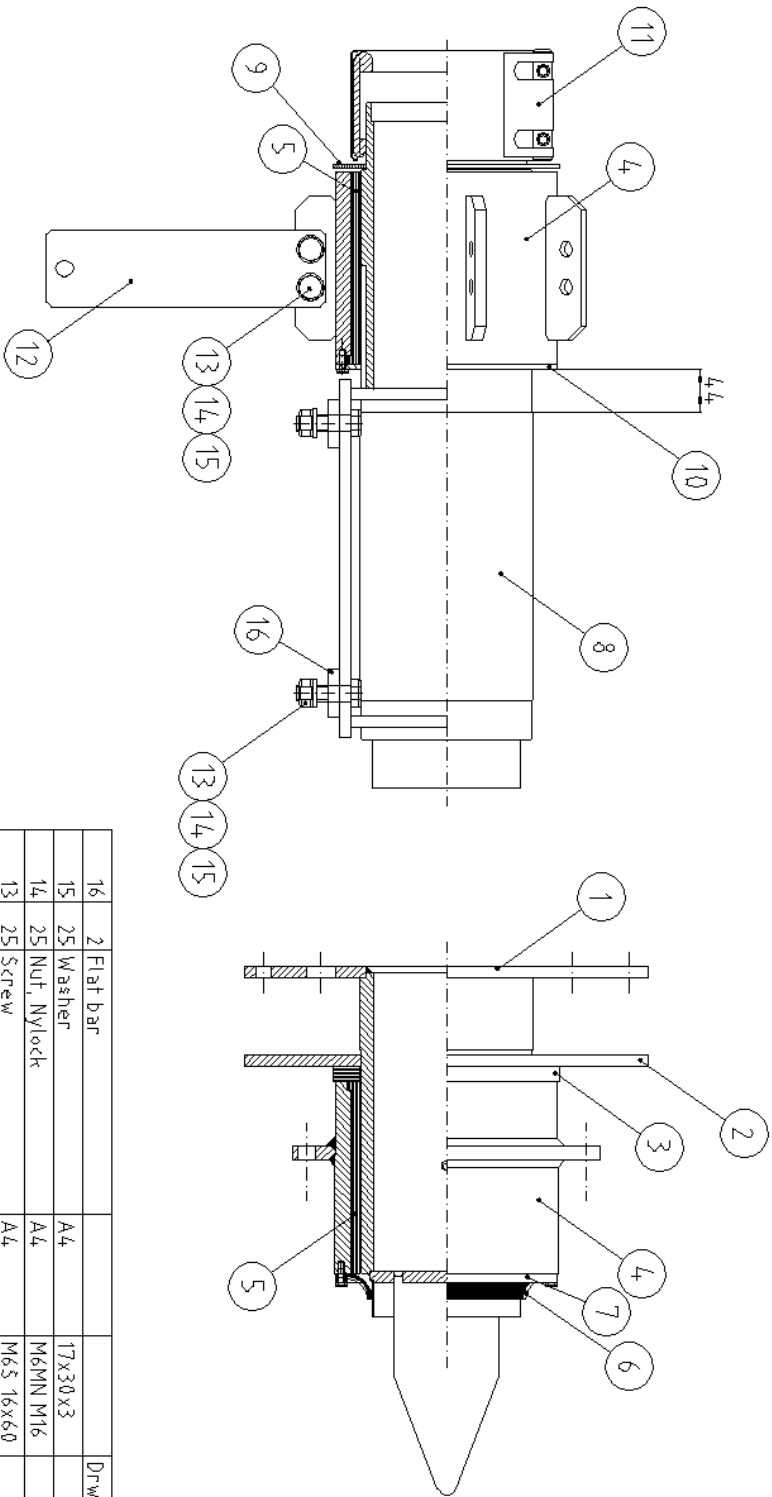
Ed.	Change and/or message no.	Date	Made by	Sam no.

	Designer	Drawn	Checked	Approved	Scale	Material	Mod. no.	Remarks
	EMS				1:10			
Assembly drive Discretifier HSF 2200		Drawn by	Checked by	Approved by	Date			
		2975			040813			

PROPERTY OF DRAWINGS AND PRESCRIPTIONS


All property, rights and use remain to  HYDROTECH AB, Sweden

General conditions and use for this drawing is in accordance to ORGALIME S92



Part no.	Quantity	Name	Material	Medium/Mark Dimension	Remark
16	2	Flat bar			Drw.No. 2915 pos.28
15	25	Washer	A4	17x30x3	
14	25	Nut, Nylock	A4	M6MN M16	
13	25	Screw	A4	M65 16x60	
12	14	Spokes			Drw.No. 2917 Pos.13
11		Connection	Teekay	150/168,3	Art. nr. 1008596
10		Retaining ring			Drw. no. 2920 pos.4
9		Axial slide bearing			Drw. no. 2941 pos.2
8		Influent center shaft			Drw. no. 2936
7		Support ring for seal			Drw. no. 2939
6		Rubber seal			Drw. no. 2918
5		Slide bearing			Drw. no. 2920
4		Bearing house			Drw. no. 2941 pos.1
3		Axial bearing			Drw. no. 2938 Pos.2
2		Effluent center shaft bracket			Drw. no. 2937
1		Effluent center shaft			

Ed. Change and/or Message no. Date Made by cam no.

 **HYDROTECH**

Asy bearing
Discfilter HSF 2200

Drw. no. 2916 Edition A